

## Butterfly Valve with Lug types

- Disc 304 stainless steel
- Bubble tight shut-off
- Resilient seat
- Valve face-to-face dimensions comply with API 609 & MSS-SP-67
- Completely assembled and tested, ready for installation



5-year warranty

## Type overview

Type	DN
F665HD	65

## Technical data

<b>Functional data</b>	Valve size [mm]	2.5" [65]
	Fluid	chilled or hot water, up to 60% glycol
	Fluid Temp Range (water)	-22...250°F [-30...120°C]
	Body Pressure Rating	ANSI Class Consistent with 125, 232 psi CWP
	Close-off pressure Δps	200 psi
	Flow characteristic	modified equal percentage
	Leakage rate	0% leakage, leakage rateA
	Pipe connection	Flange for use with ASME/ANSI class 125/150
	Servicing	maintenance-free
	Flow Pattern	2-way
	Controllable flow range	90° rotation
	Cv	196
	Maximum Velocity	12 FPS
	Lug threads	5/8-11 UNC
<b>Materials</b>	Valve body	Ductile cast iron ASTM A536
	Body finish	epoxy powder coating (blue RAL 5002)
	Stem	416 stainless steel
	Stem seal	EPDM (lubricated)
	Seat	EPDM
	Bearing	RPTFE
	Disc	304 stainless steel
<b>Suitable actuators</b>	Non Fail-Safe	ARB(X) GRB(X)
	Spring	AFRB(X)

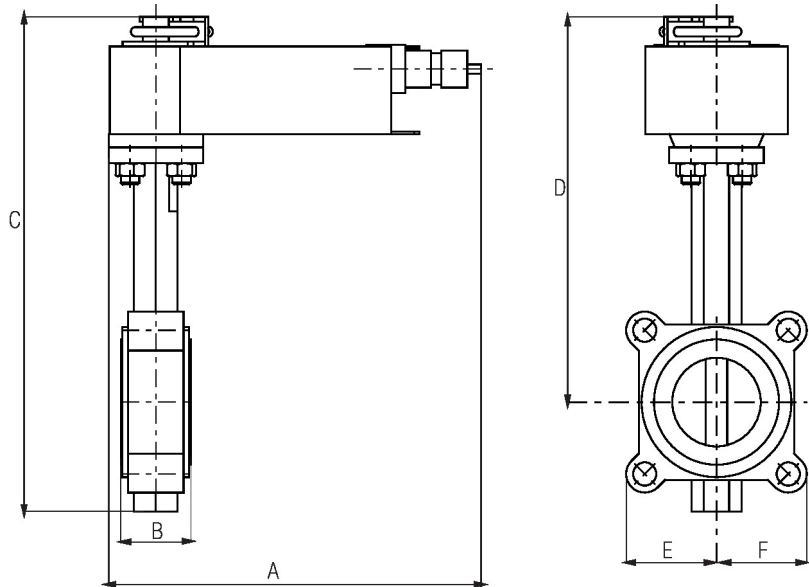
Product features

Flow/Mounting details



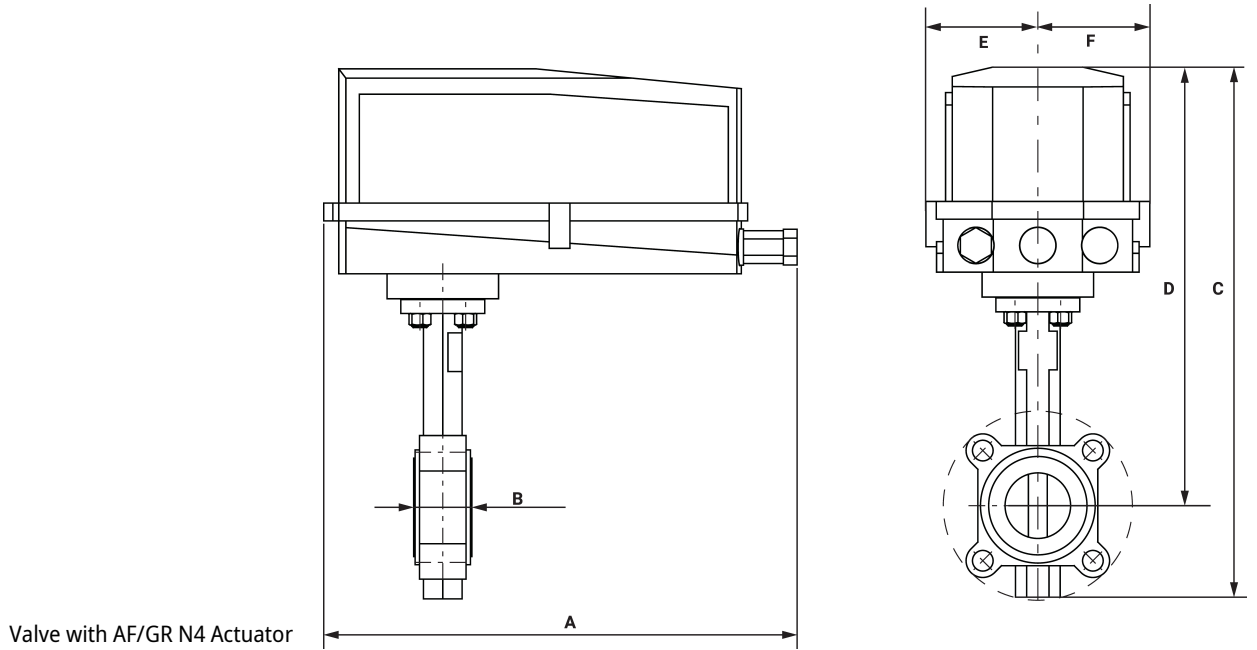
Dimensions

Type	DN	Weight
F665HD	65	22 lb [10 kg]



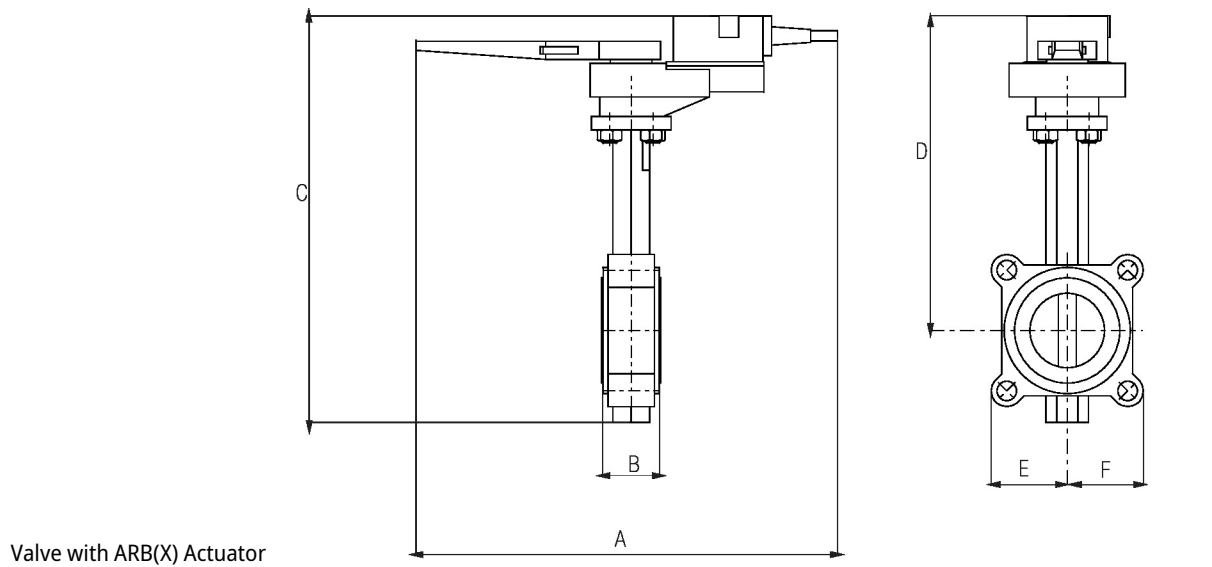
Valve with AFR Actuator

A	B	C	D	E	F	Number of Bolt Holes
10.1" [257]	1.9" [49]	13.1" [333]	10.1" [256]	3.3" [85]	3.3" [85]	4



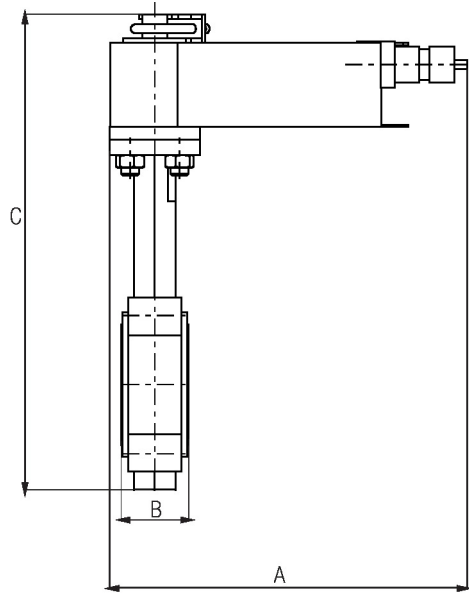
Valve with AF/GR N4 Actuator

A	B	C	D	E	F	Number of Bolt Holes
14.5" [368]	1.9" [49]	17.0" [433]	13.9" [354]	3.4" [86]	3.4" [86]	4



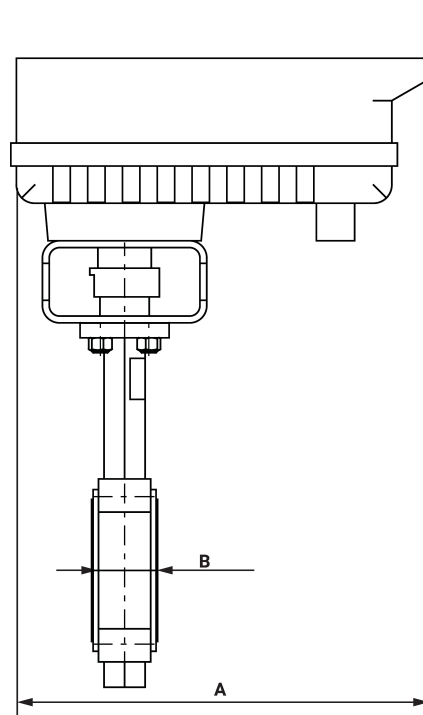
Valve with ARB(X) Actuator

A	B	C	D	E	F	Number of Bolt Holes
14.5" [368]	1.9" [49]	13.3" [337]	10.2" [260]	3.3" [85]	3.3" [85]	4



Valve with AFX24-MFT(-S) Actuator

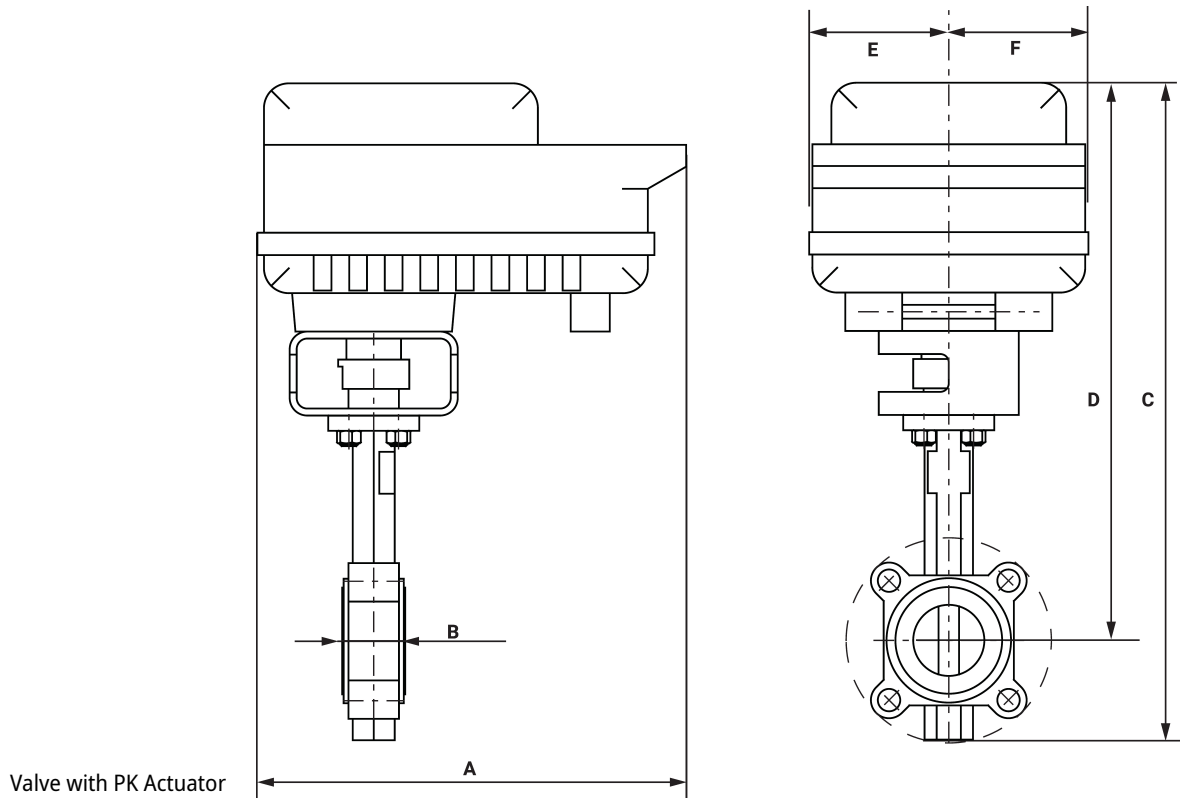
A	B	C	D	E	F	Number of Bolt Holes
10.1" [257]	1.9" [49]	16.0" [406]	12.9" [328]	3.3" [85]	3.3" [85]	4



Valve with PR Actuator

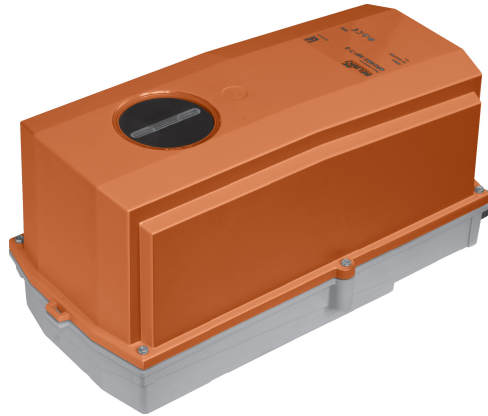
A	B	C	D	E	F	Number of Bolt Holes
12.0" [304]	1.9" [49]	17.6" [448]	14.5" [368]	3.9" [100]	3.9" [100]	4

Dimensions



A	B	C	D	E	F	Number of Bolt Holes
12.0" [304]	1.9" [49]	19.3" [490]	16.2" [411]	3.9" [100]	3.9" [100]	4
A	B	C	D	E	F	Number of Bolt Holes
8.4" [213]	1.9" [49]	16.0" [406]	12.9" [328]	3.3" [85]	3.3" [85]	4
A	B	C	D	E	F	Number of Bolt Holes
10.8" [275]	1.9" [49]	13.9" [354]	10.8" [274]	3.3" [85]	3.3" [85]	4

On/Off, Floating point, Non fail-safe, 100...240 V



5-year warranty


**Technical data**

<b>Electrical data</b>	Nominal voltage	AC 100...240 V
	Nominal voltage frequency	50/60 Hz
	Nominal voltage range	AC 85...265 V
	Power consumption in operation	6 W
	Power consumption in rest position	2 W
	Transformer sizing	11 VA
	Electrical Connection	18 GA appliance cable, 3 ft [1 m], with 1/2" NPT conduit connector
	Overload Protection	electronic throughout 0...90° rotation
<b>Functional data</b>	Direction of motion motor	selectable with switch 0/1
	Manual override	under cover
	Angle of rotation	90°
	Angle of rotation note	adjustable with mechanical stop
	Running Time (Motor)	35 s / 90°
	Running time motor note	constant, independent of load
	Noise level, motor	45 dB(A)
	Position indication	Mechanical, 5...20 mm stroke
<b>Safety data</b>	Power source UL	Class 2 Supply
	Degree of protection IEC/EN	IP66/67
	Degree of protection NEMA/UL	NEMA 4X
	Enclosure	UL Enclosure Type 4X
	Agency Listing	cULus acc. to UL60730-1A/-2-14, CAN/CSA E60730-1:02, CE acc. to 2014/30/EU and 2014/35/EU
	Quality Standard	ISO 9001
	Ambient humidity	Max. 100% RH
	Ambient temperature	-22...122°F [-30...50°C]
	Ambient temperature note	-40...50°C for actuator with integrated heating
	Storage temperature	-40...176°F [-40...80°C]
	Servicing	maintenance-free
<b>Weight</b>	Weight	6.9 lb [3.1 kg]
<b>Materials</b>	Housing material	Die cast aluminium and plastic casing

**Footnotes** †Rated Impulse Voltage 2.5kV, Type of Action 1.AA, Control Pollution Degree 3.

Accessories

Factory add-on option only	Description	Type
	Heater, with adjustable thermostat	ACT_PACK_H
	Heater, with adjustable thermostat	ACT_PACK_Y

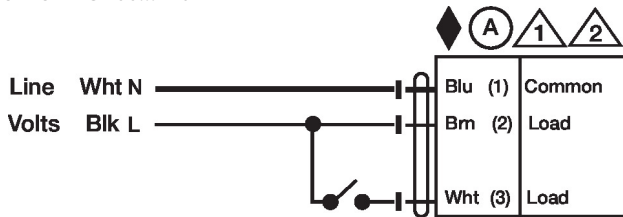
Electrical installation

**✂ INSTALLATION NOTES**

- (A)** Actuators with appliance cables are numbered.
- 1** Provide overload protection and disconnect as required.
- 2** Actuators may be connected in parallel. Power consumption and input impedance must be observed.
- ◆** Meets cULus requirements without the need of an electrical ground connection.
- ⚠ Warning! Live electrical components!**  
During installation, testing, servicing and troubleshooting of this product, it may be necessary to work with live electrical components. Have a qualified licensed electrician or other individual who has been properly trained in handling live electrical components perform these tasks. Failure to follow all electrical safety precautions when exposed to live electrical components could result in death or serious injury.

**Wiring diagrams**

On/Off AC 100...240 V



Floating Point AC 100...240 V

